



Solutions for Materials Preparation, Testing and Analysis

## Inverted Trinocular Metallurgical Microscope E-200



**EBPu Electromechanical Equipment (Zhejiang) Co., Ltd.**

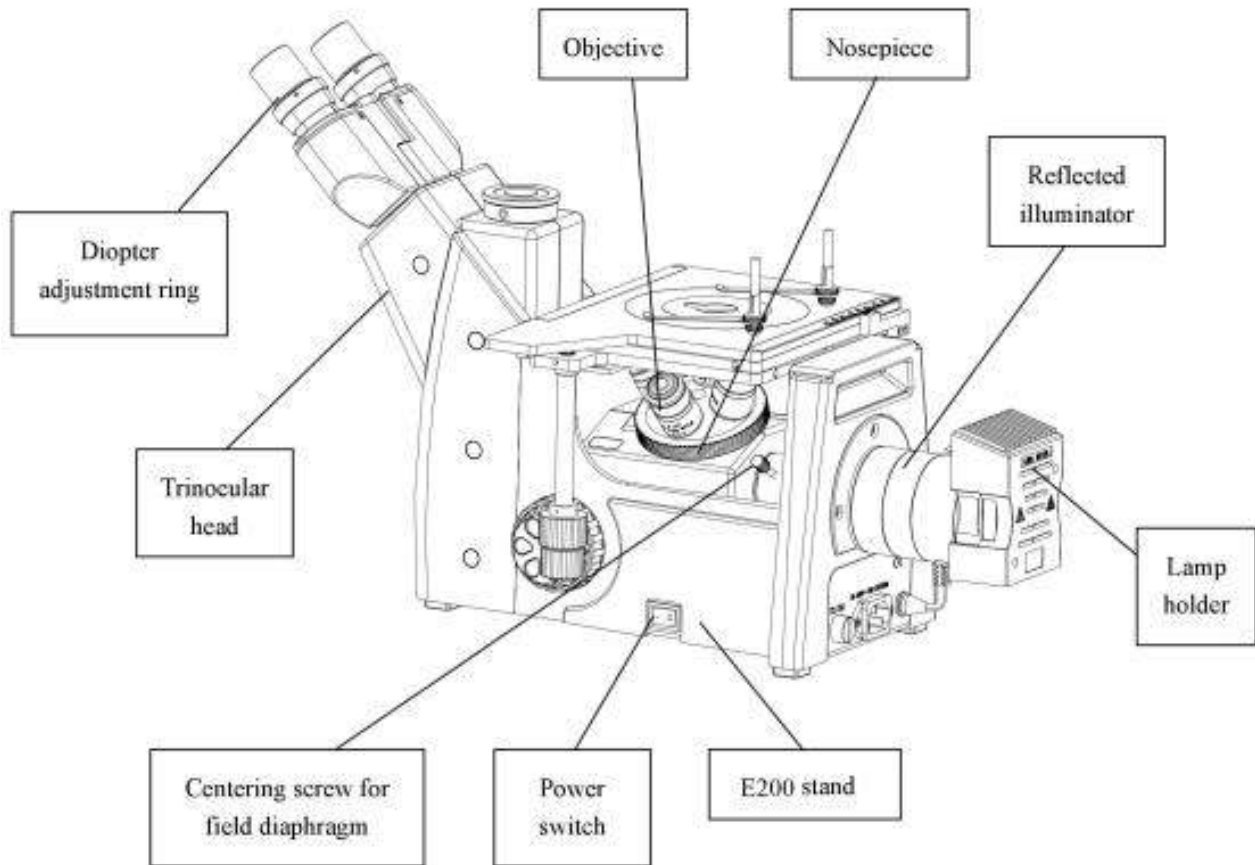
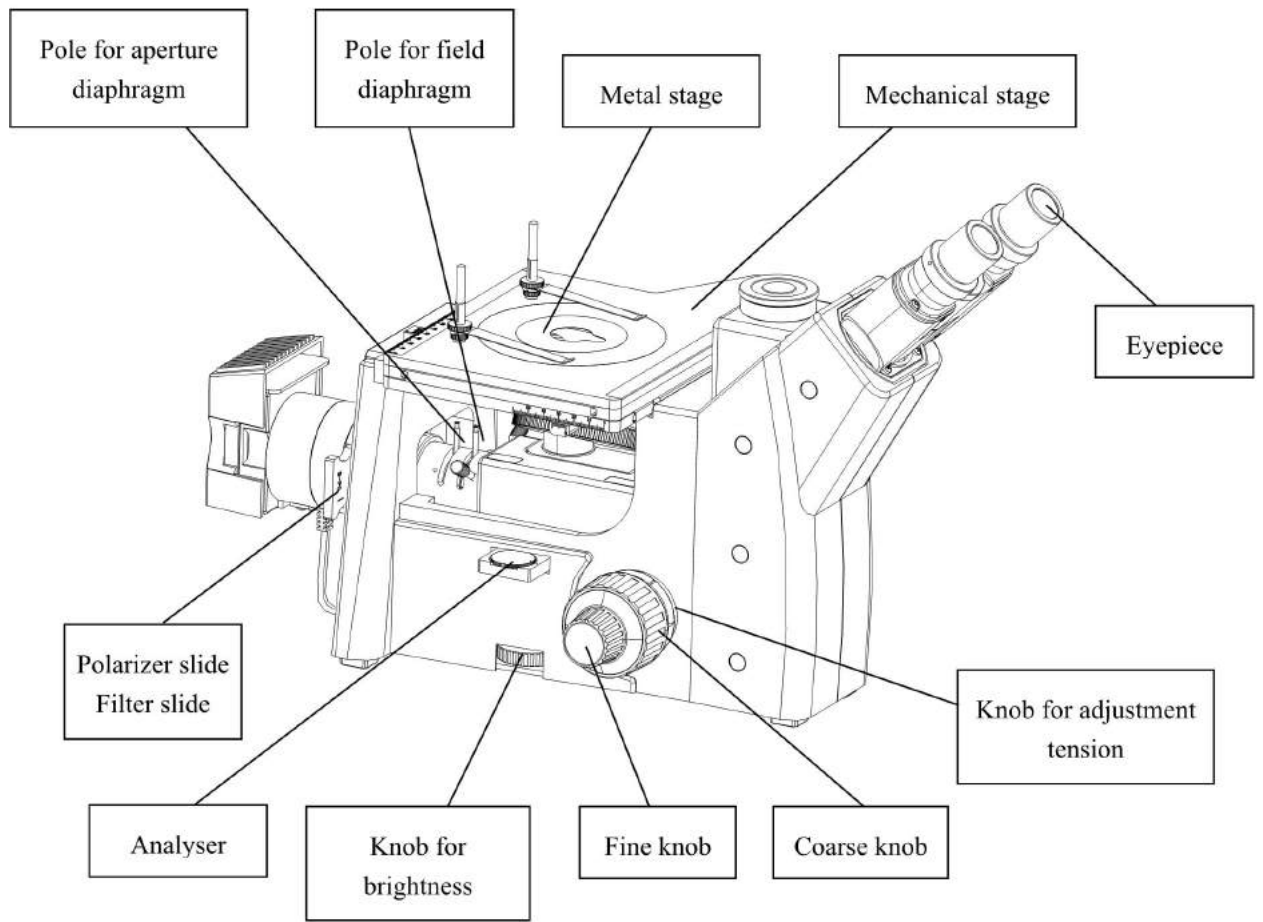
**Introduction:**

Invert trinocular metallurgical microscope is used to discern and analyze organizational structure from kinds of metal. It is very important in the work of quality research for foundry, smelt, heat treatment and inspection for raw material and analysis for metallurgical structure of material after processing. It is also the important tool of research work for metal physics, which is widely used in enterprise, university and R&D.

**Technical Parameter:**

Model	E-200
Eyepiece	PL10X/18mm plan eyepiece
Objective	Normal: 5X, 10X, 20X, 40X (195mm) LWD professional plan objective: 5X, 10X, 20X, 50X, 100X) Standard parts: 5X, 10X, 20X, 50X (100X for optional purchase)
Head	Gemel trinocular head, 45 degree inclined, with 8:2 prismatic Interpupillary distance: 55-75mm
Nosepiece	Build-in quadruple nosepiece (Build-in quintuple nosepiece)
Focus	Fine and coarse coaxial, moving range: 33mm, fine precision: 0.001mm
Stage	Size: 180*155mm, moving range: 75*40mm Ø12 metal stage (Ø25 metal stage for optional purchase)
Illumination	Reflected Kohler illuminator with iris aperture diaphragm and centering field diaphragm. 100-240VAC power supply with 3W LED bulb (6V30W halogen bulb for optional) Brightness is adjustment
Polarizing set	Analyser can be rotatable and both polarizer and analyser can be move light path
Filter	Blue, green, yellow
Operation Environment	<ul style="list-style-type: none"> <li>● Indoor</li> <li>● Altitude: 2000m Max.</li> <li>● Temperature: 5°C-40°C (41°F-104°F)</li> <li>● Humidity: 80% for 31°C (88°F)</li> <li>70% for 34°C (93°F)</li> <li>60% for 37°C (99°F)</li> <li>50% for 40°C (104°F)</li> <li>● Pollution: 2 (Refer to IEC664)</li> </ul>

**Products details:**





Quality

Speed

Technical Capabilities

Language Capabilities

Expertise

Price

Customers' satisfaction



EBP





Provide solutions for material preparation, testing and analysis

E: [Jack.chou@139.com](mailto:Jack.chou@139.com)      [www.hiebp.com](http://www.hiebp.com)

Office hour: 8:00am - 17:00pm (Monday - Friday)

Tel: +86-0576-8601 1208    Mobile / WhatsApp: +86-13524552810

Add.: 56-57 Multiple-use Building, Danshan Industrial Zone, Wenling City, China

**Partner is Brother, Quality is Life!**