



Solutions for Materials Preparation, Testing and Analysis

Inverted Trinocular Metallurgical Microscope E-200A



EBPu Electromechanical Equipment (Zhejiang) Co., Ltd.

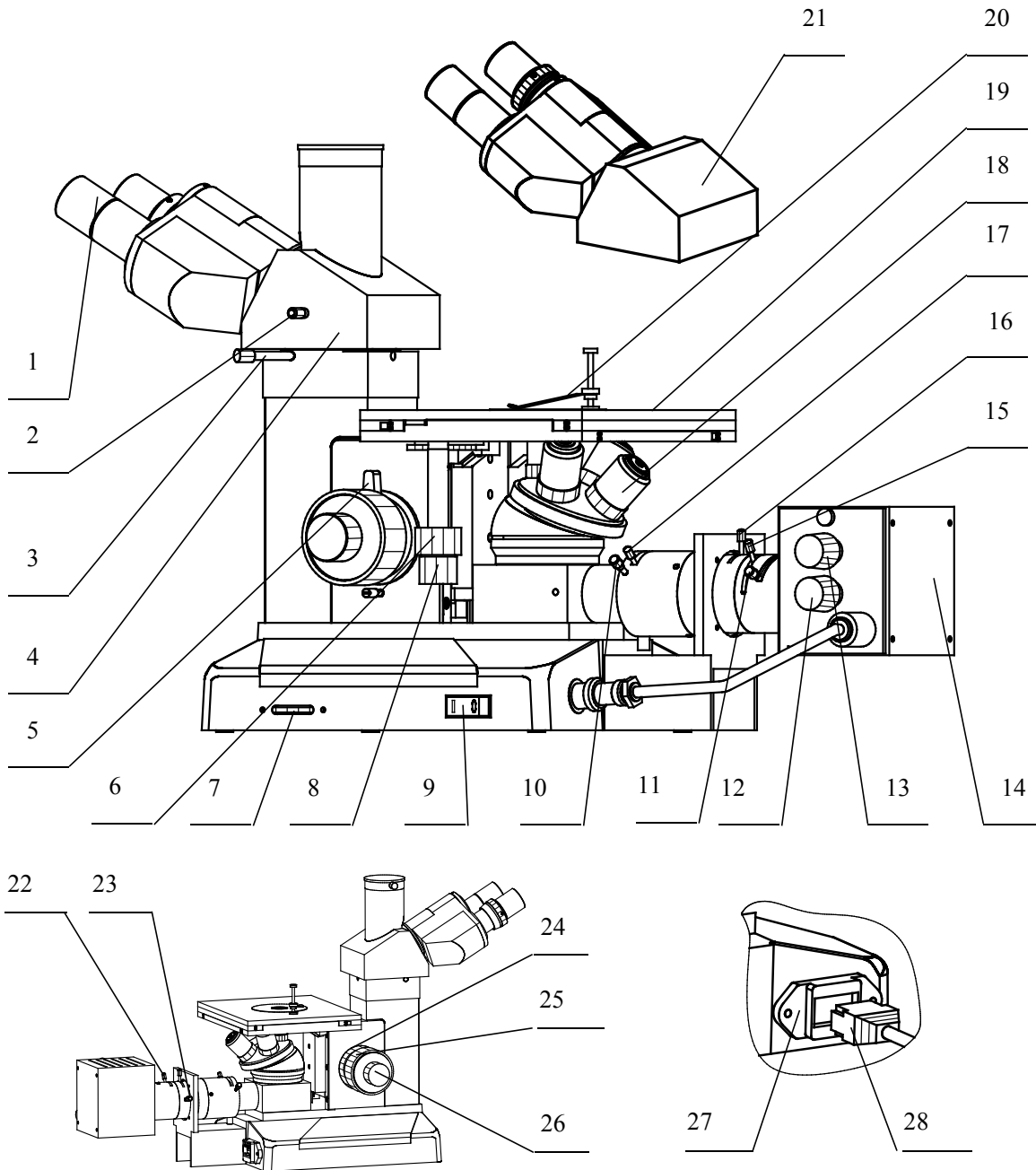
Introduction:

Invert trinocular metallurgical microscope is used to discern and analyze organizational structure from kinds of metal. It is very important in the work of quality research for foundry, smelt, heat treatment and inspection for raw material and analysis for metallurgical structure of material after processing. It is also the important tool of research work for metal physics, which is widely used in enterprise, university and R&D.

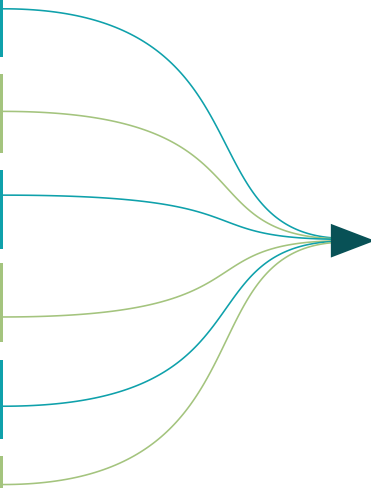
Technical Parameter:

Model	E-200A
Eyepiece	WF10X/Ø18mm plan eyepiece
Objective	10X/0.25, 20X/0.40, 50X/0.65, 100X/0.80 achromatic objective
Total magnification	100X, 200X, 500X, 1000X
Head	Hinge type 45 degree inclined
Nosepiece / Turret	Four hole (inward ball positioning) / Five hole for optional purchase
Focus	Fine and coarse coaxial, with lock function, fine precision: 2um
Stage	Size: 180*150mm, moving range: 15*15mm Ø12 metal stage
Illumination	Pupil distance: 53-75mm 6V30W halogen bulb, brightness is adjustment With aperture diaphragm and centering field diaphragm
Polarizing set	Analyser can be rotatable and both polarizer and analyser can be move light path (Pull plate type)
Filter	Blue, green, yellow
Operation Environment	<ul style="list-style-type: none"> ● Indoor ● Altitude: 2000m Max. ● Temperature: 5°C-40°C (41°F-104°F) ● Humidity: 80% for 31°C (88°F) 70% for 34°C (93°F) 60% for 37°C (99°F) 50% for 40°C (104°F) ● Pollution: 2 (Refer to IEC664)
Weight	Net weight: 7kg; Gross weight: 8.5kg

Products details:



- 1.Eyepiece 2.Switch Handspike For Observe/Photograph 3. Thumbscrew 4.Trinocular 5. Up Stop
 6. Table-board Longitudinal Adjustment Knob 7. Brightness Control Knob 8. Table-board Transverse Adjustment Knob 9. Power Switch 10. Field Diaphragm Centering Screw 11. Focusing Lens Adjustment Lever 12. Light Bulb Vertical Adjustment knob 13. Light Bulb Transverse Adjustment knob 14. Lamp House 15. Filter Wheel 16. Aperture Diaphragm Adjustment Lever 17. Field Diaphragm Adjustment Lever 18.Objective 19.Stage 20.Stretchy Clip 21.Binocular 22.Polarizer (Optional)
 23 Lamp House Set Screw. 24.Focus Tensional Adjustment Knob 25.Coarse Focus Control Knob
 26. Fine Focus Control Knob 27. Power Outlet with Fuse Seat 28. Power Inlet



Customers' satisfaction



EBP





Provide solutions for material preparation, testing and analysis

E: Jack.chou@139.com www.hiebp.com

Office hour: 8:00am - 17:00pm (Monday - Friday)

Tel: +86-0576-8601 1208 Mobile / WhatsApp: +86-13524552810

Add.: 56-57 Multiple-use Building, Danshan Industrial Zone, Wenling City, China

Partner is Brother, Quality is Life!