



Coating Thickness Gauge

CT-100B



Features:

- 1) FSTN LCD Display
- 2) Without Built-in Black Light
- 3) Integral Probe F&NF, Auto detecting attribute of substrates
- 4) Zero Calibration and 50/100/250/500/1000um Calibration Points
- 5) Nice shell design for easy reading
- 6) Built-in Silicone Slip Strip
- 7) Measurement Range: 0~1300um
- 8) Accuracy: $\pm(2.5\%+1\mu\text{m})$

- 9) Resolution: 0.1um
- 10) 5 minutes auto power off to saving power
- 11) Power Supply: 1 x 9V battery
- 12) Operating Temperature: 0 to 40°C (32 to 104°F)
- 13) Size: 130mm x 62mm x 32mm
(4.88" x 2.44" x 1.26")
- 14) Weight: 100g(3.53oz)





Application:



The Gauge is designed for non-destructively measuring the thickness of coating and painting. It is essential for material surface treatment and widely used in manufacturing industry, metal-processing industry, chemical industry, commodity inspection area, and also able to work steadily in the laboratory, workshop and outdoor.

The gauge adopts the principle of electromagnetic induction and eddy current effect. It has F probe and N probe; F probe works on the magnetic induction principle and should be used for detecting the non-magnetic coating' s thickness such as chrome/copper/zinc/varnish/rubber on the iron/steel substrate.



N probe works on the eddy current principle and should be used for detecting the insulating coating's thickness such as paint/anodizing/ceramics on the aluminum/copper/brass substrate.

Technical specifications:

	Probe F	Probe N
Principle	Magnetic Induction	Eddy Current
Range	0~1300um 0~51.2mil	0~1300um 0~51.2mil
Accuracy	±(3%+2um) ±(3%+0.08mil)	±(3%+2um) ±(3%+0.08mil)
Resolution	0.1um/0.01mil	0.1um/0.01mil
Calibration	Points: ZERO/50/100/250/500/1000um	
Units	um, mil	
minimum curvature radius convex:	1.5mm	
minimum curvature radius concave:	25mm	
minimum measuring area:	Diameter 6mm	
minimum thickness of substrate	0.5mm(0.02")	0.3mm(0.012")
Power	One 9V battery	
Operation Environment	Temperature:0~40°C (32~104°F) Humidity:20%~90%RH	
Size	130mm x 62mm x 32mm (4.88" x 2.44" x 1.26")	
Weight	100g(3.53oz)	

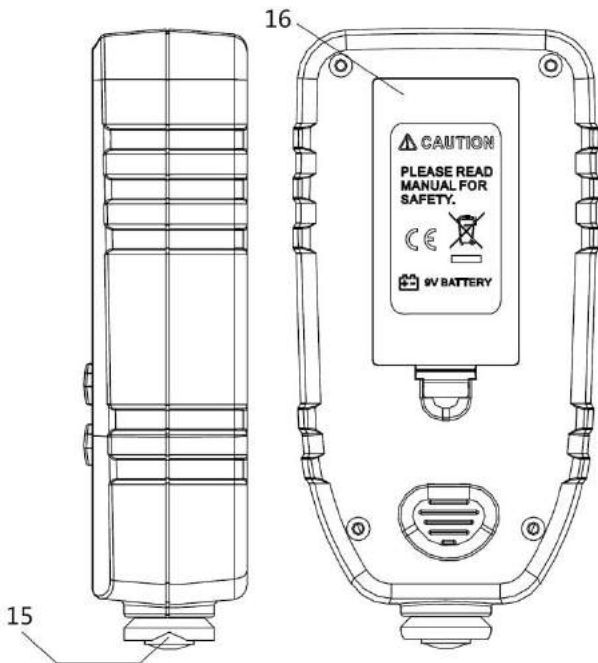
White & Black color are available:



Description:



- 1. Fe--Magnetic substrate indicator: Steel/Iron
- 2. NF--Non-magnetic substrate indicator: Copper/Aluminum
- 3. Auto power off flag, auto power-off in 15 minutes with no-operation
- 4. Low battery indicator
- 5. Measured Reading Display
- 6. SNG: Single Measurement Mode
- 7. CON: Continuous Measurement Mode
- 8. Unit: um, mil
- 9. ON/OFF
- 10. um/mil: Unit Switch Key, System Resetting Key(Press and Hold More than 3s)
- 11. ZERO: Clearing Display when SNG shows; Using for calibration when CON shows.
- 12. MODE: Switch SNG/CON; SNG shows, Single-point Mode; CON shows, Continuous Mode
- 13. Anti-Skid Slot
- 14. Probe



- 15.V-Groove
- 16. Battery Compartment

Machine size:



Standard delivery:

#	Name	QTY
1	Main unit	1
2	Probe (Fe & NFe integrated)	1
3	Calibration piece of pre-coated metal sheets	2
4	Calibration piece of foils	5
5	9V battery	1
6	Operating manual	1
7	Warranty card	1
8	Instrument bag	1

